



OVERVIEW

StarEFX™ panels bring a captivating starry night effect to any interior while delivering excellent acoustic performance. Designed for simple installation on either ceilings or walls, each lightweight panel is secured using six screws, providing both a visual and functional upgrade to your space.

What makes StarEFX truly unique is that no two panels are alike. Each one features a randomly arranged constellation of shimmering white stars, offering a one-of-a-kind aesthetic and creating a warm, enchanting ambiance in any room.

FEATURES

1. Acoustic P.E.T. Panel made from recycled material
2. Bevelled and Straight edge panel options
3. 40 randomised star points for a natural night-sky effect
4. Classic shimmer, twinkle, and animated lighting modes
5. App control with access to 170+ dynamic animations
6. Full RGBW colour control
7. Built-in Wi-Fi connectivity
8. Compatible with leading home automation systems



NAME:

StarEFX - Pulse

CATEGORY:

Acoustic Lighting - Panel

WEIGHT:

Approximately: 1.2kg - 2kg

YEAR:

2026

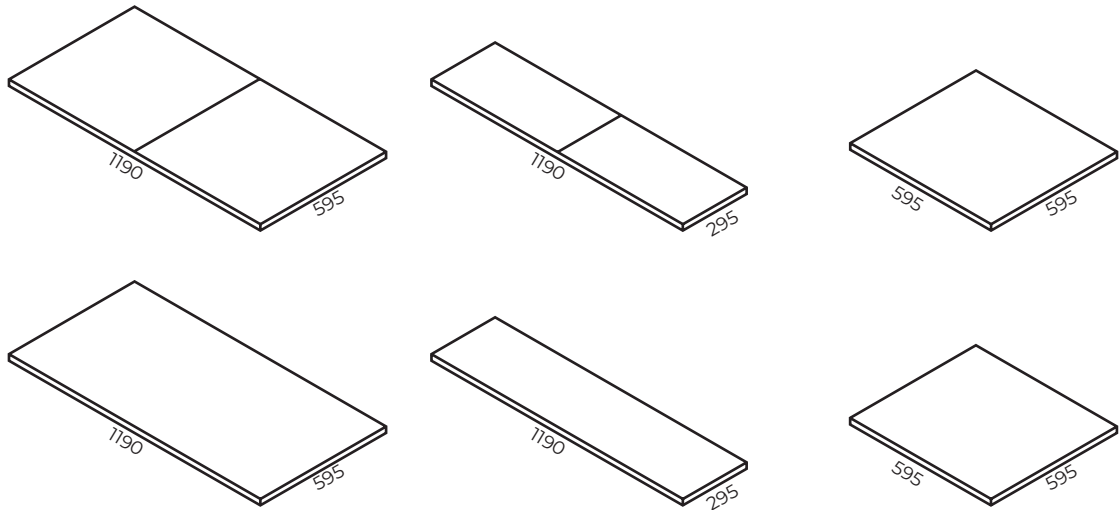
DIMENSIONS:

1190mm x 595mm x 27mm

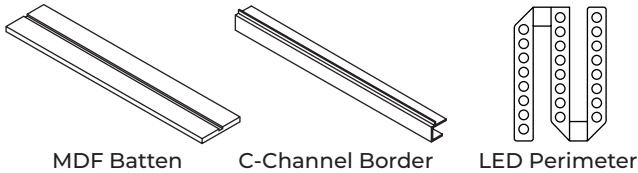
1190mm x 295mm x 27mm

595mm x 595 mm x 27mm

DIMENSIONS



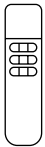
ADDITIONAL COMPONENTS



MDF Batten

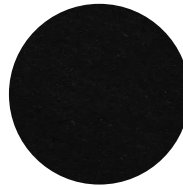
C-Channel Border

LED Perimeter



Wireless Remote

FINISHES



Pure Black



Silver Grey

INSTRUCTIONS

When installing across a large ceiling area, it is essential to ensure the underlying structure is adequately supported. In some cases, particularly where the drywall may not be securely fixed to ceiling joists or furring channels, we recommend using battens to reinforce the mounting surface. This ensures a safe, stable, and long-lasting installation.



CERTIFICATIONS



Australian Standard
AS 5637.1-2015 - Class 1



WARRANTY



CONTACT US!

LightEFX

35 Research Drive,
Croydon South,
VICTORIA, 3136

1300 762 299
sales@lightefx.com.au
www.lightefx.com.au

