

# LIGHTEFX<sup>•••</sup> EdgeLine

## Skirting and Cornice

Refined aluminium profiles that streamline specification, elevate the perimeter, and deliver beautifully integrated LED illumination.





Anodised



Matt White

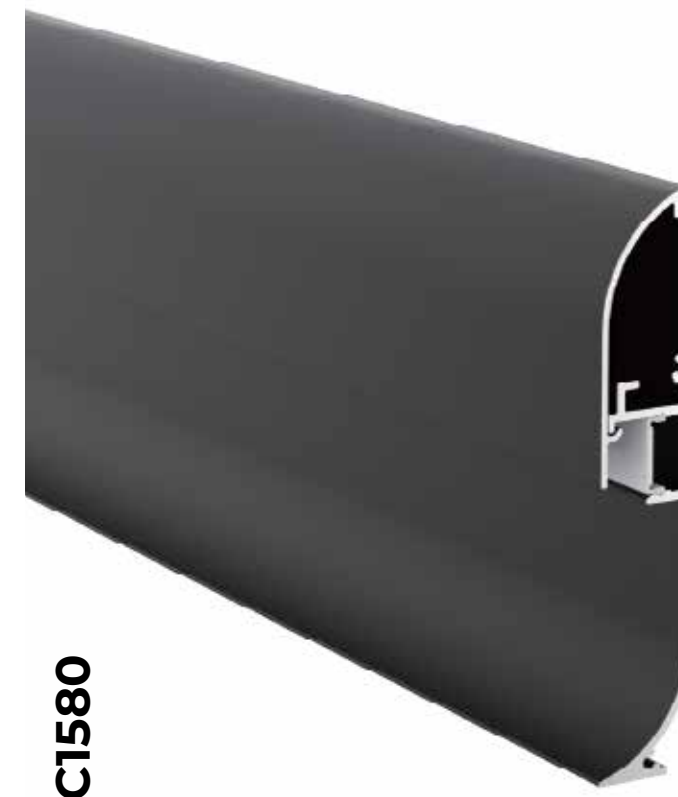


Matt Black

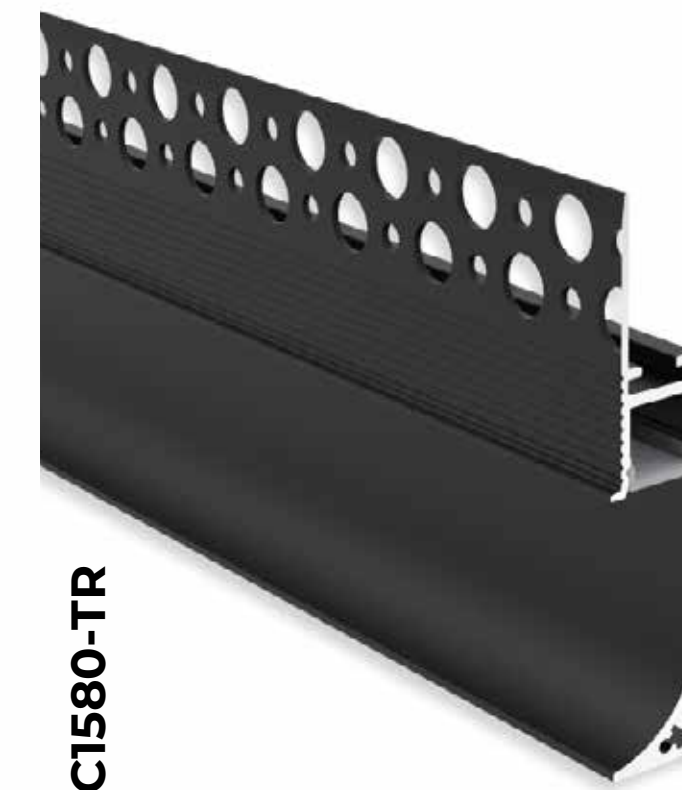
# 6 Profiles

## 3 Colours

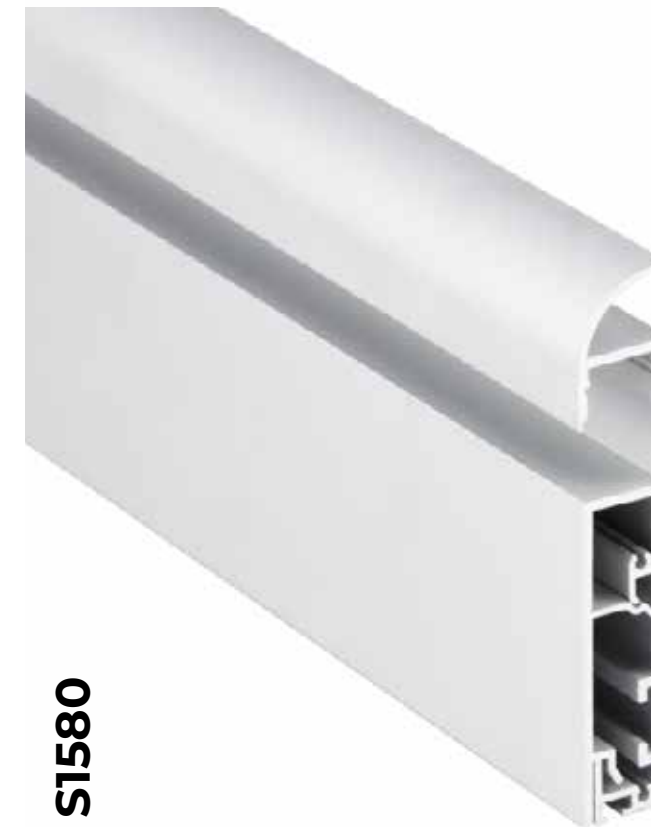
The EdgeLine range offers six distinct aluminium profiles, each engineered for different design and installation needs. Available in three modern colours, the system gives you the freedom to match any interior style. With both built-in and retrofit options, EdgeLine makes it easy to achieve seamless perimeter lighting, whether you're planning a new build or upgrading an existing space.



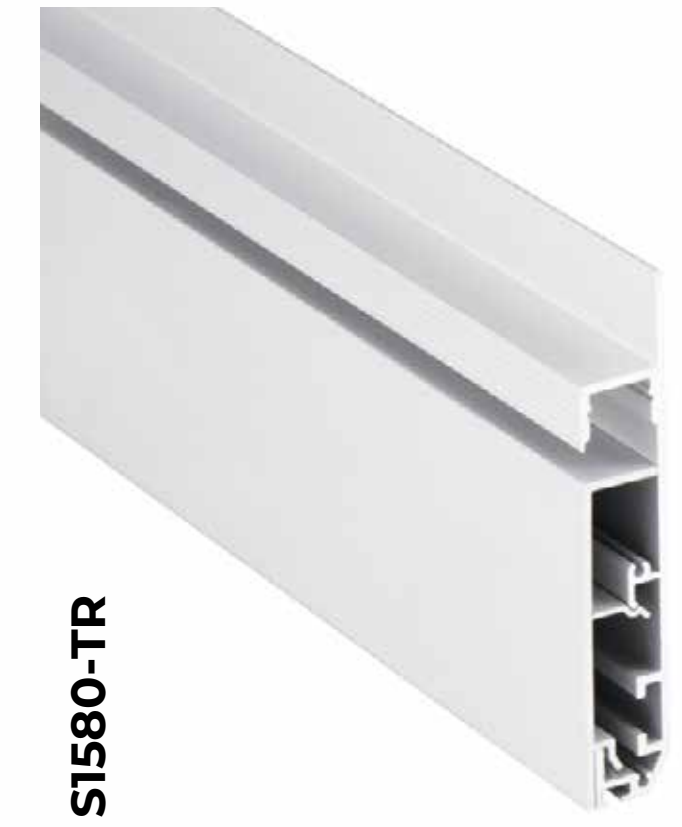
C1580



C1580-TR



S1580



S1580-TR



C190



C190-TR



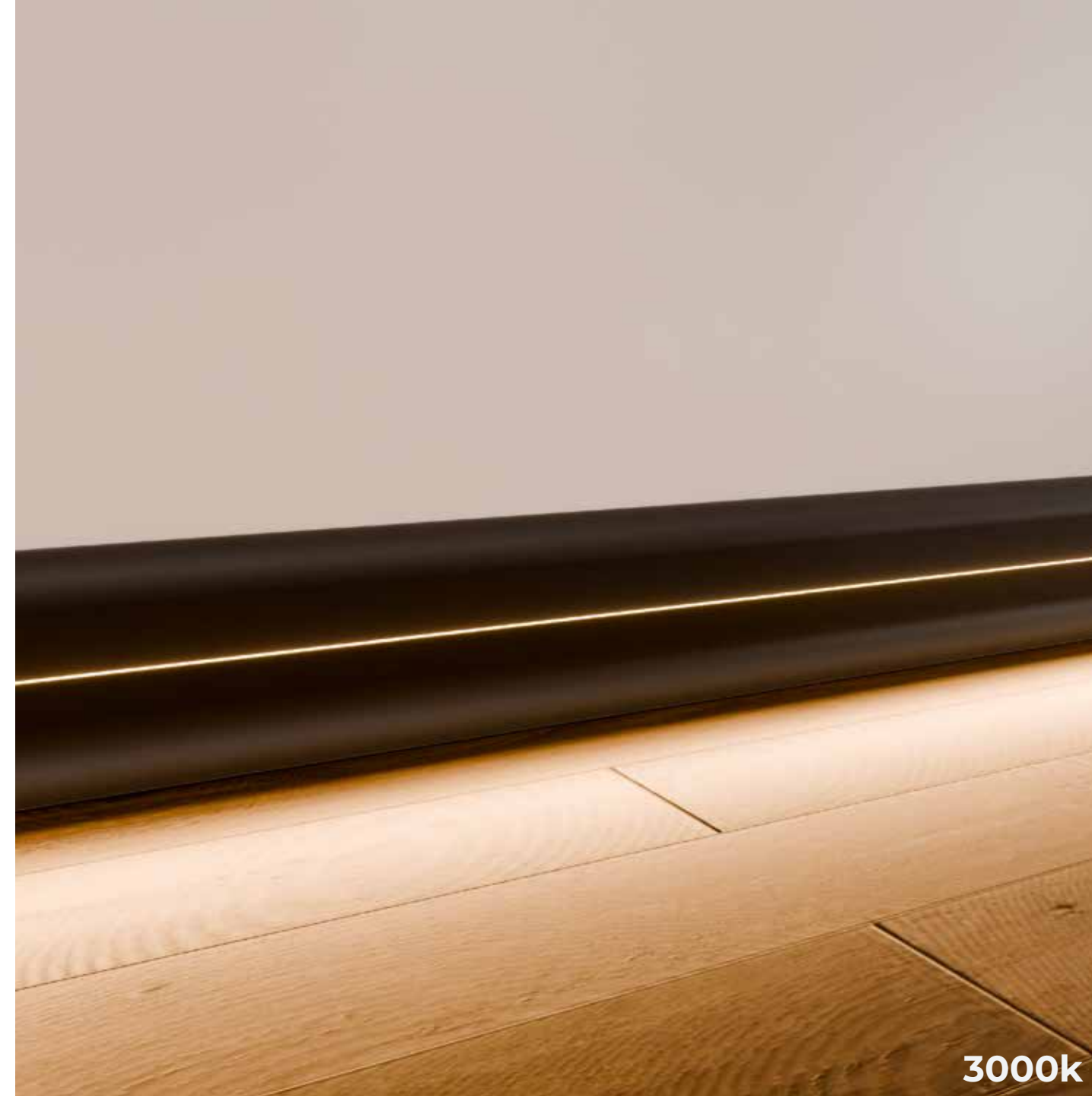
## LED Integration

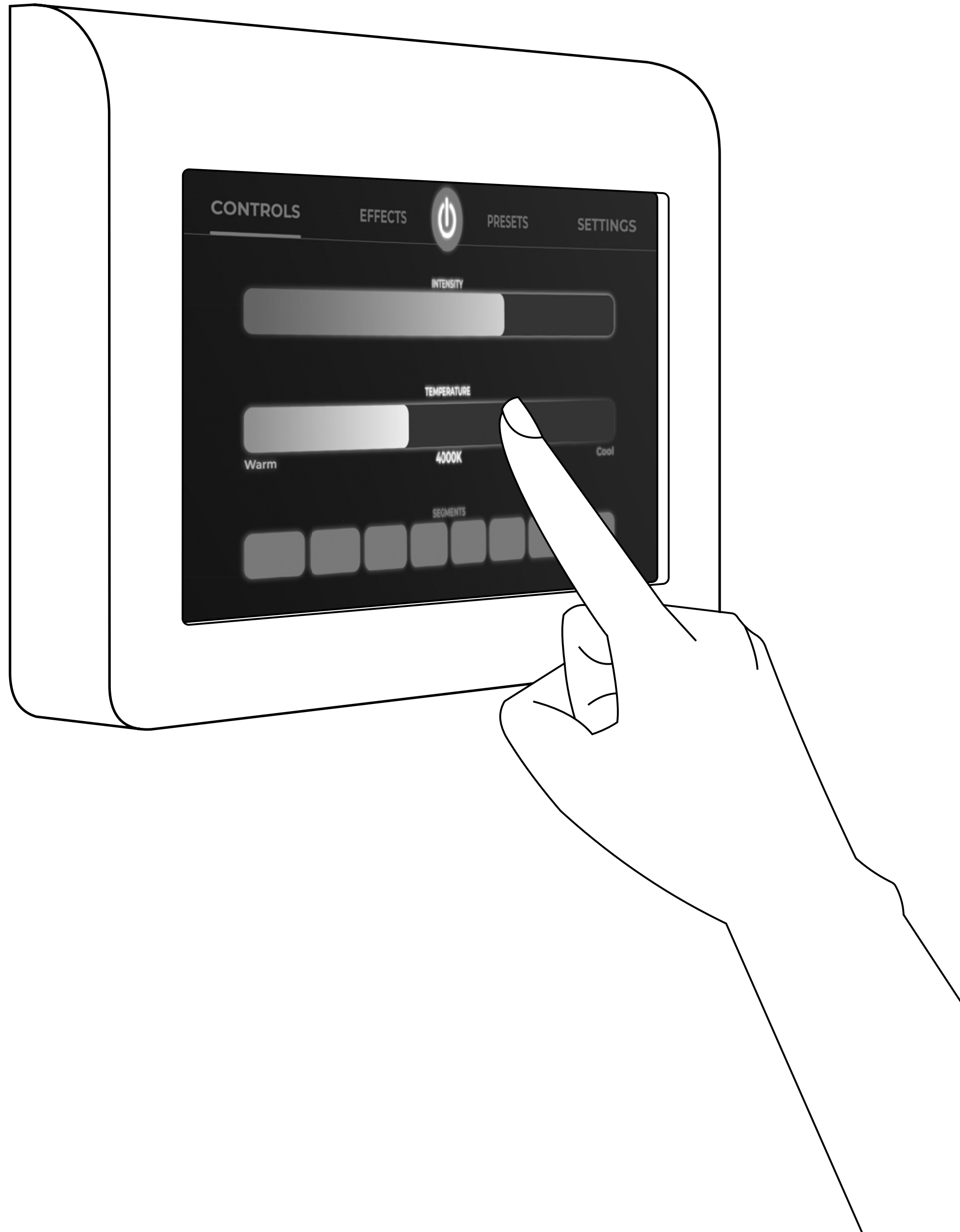
- **Cleaner lines:** Lighting becomes part of the architecture, not an add-on.
- **Faster installation:** No need for separate channels, trims, or surface-mounted fittings.
- **Consistent results:** Perfectly aligned, evenly illuminated perimeters every time.
- **Slimmer profiles:** LEDs fit within the design, maintaining sleek, modern finishes.
- **Future-proof:** Easy access for maintenance or LED upgrades without damaging walls.

# Match your mood with tuneable colours

Tunable colours and adjustable light temperatures let you instantly shift a room's mood, from warm and relaxing to cool and focused, or to vibrant colour for feature moments. It gives you full creative control to match the lighting to the space, the time of day, or the experience you want to create.

## App or Touch Pad Control





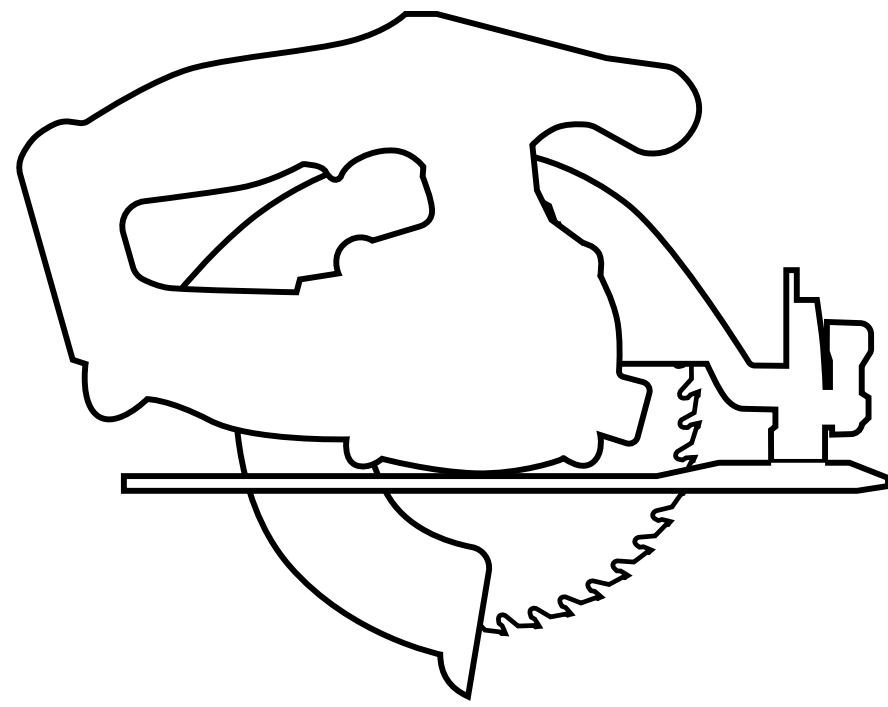
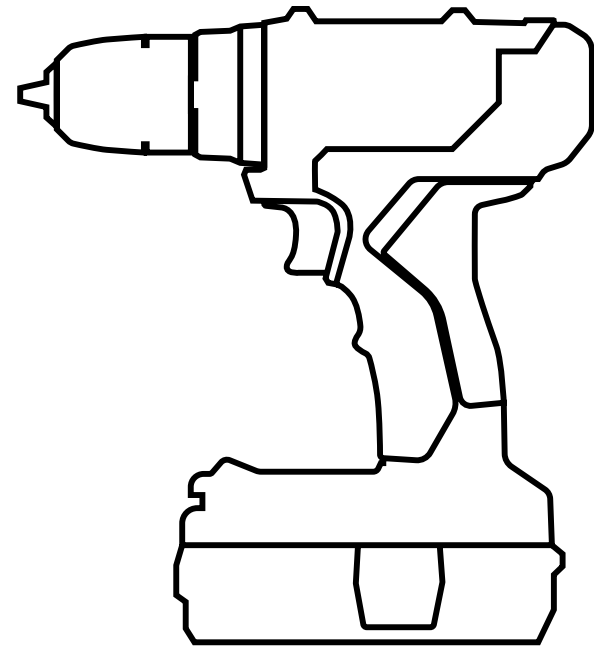
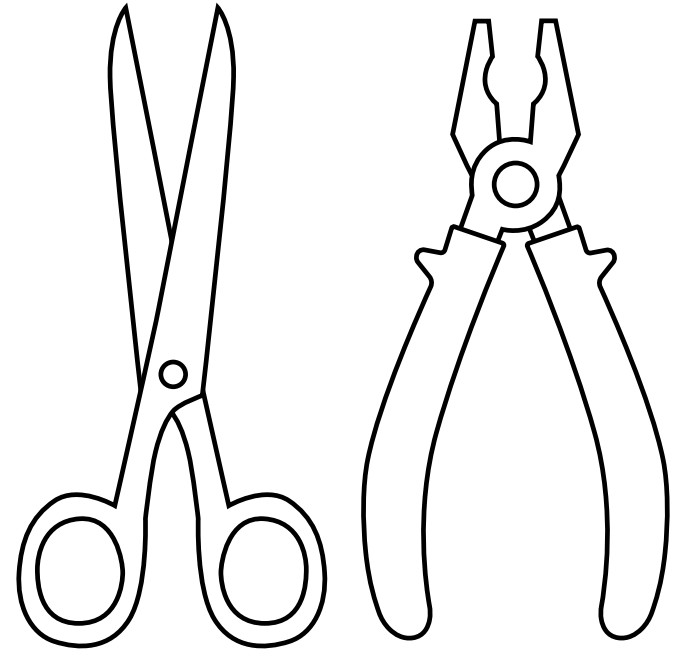
# Atmosphere at the touch of a finger

## Touch Pad and App Control Options

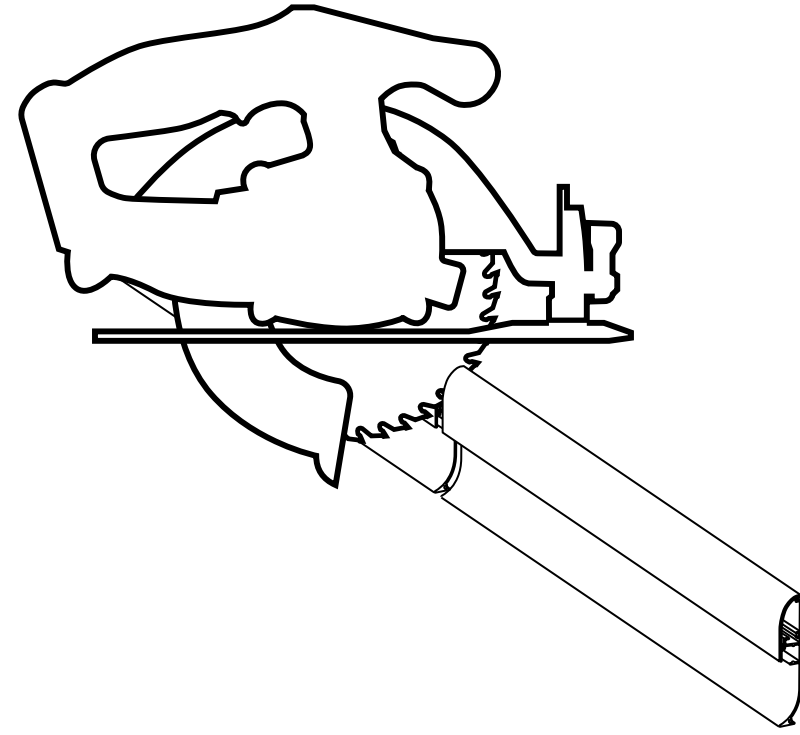
LightEFX gives designers intuitive, flexible control through a low profile touch pad and a powerful app that enables precise adjustment of the lighting environment. Multiple fixtures can be linked within the LightEFX ecosystem, allowing you to synchronise or zone lighting across an entire space with effortless coordination.

# Installation

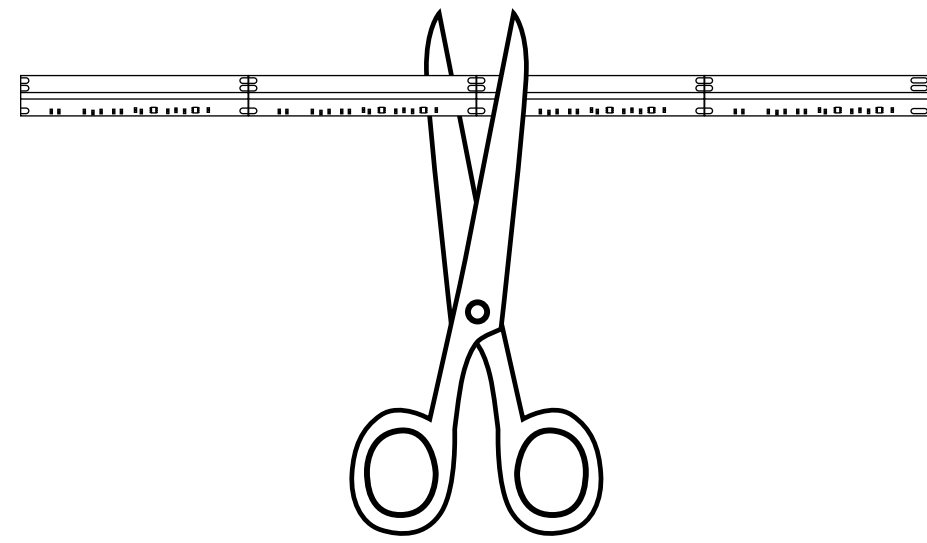
## Tools Required



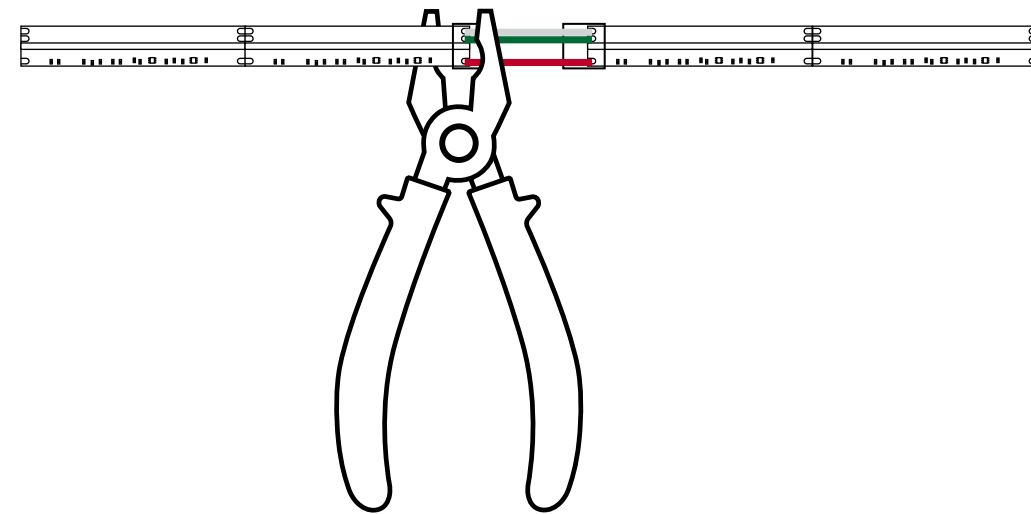
## Step 1. Cut profile to size



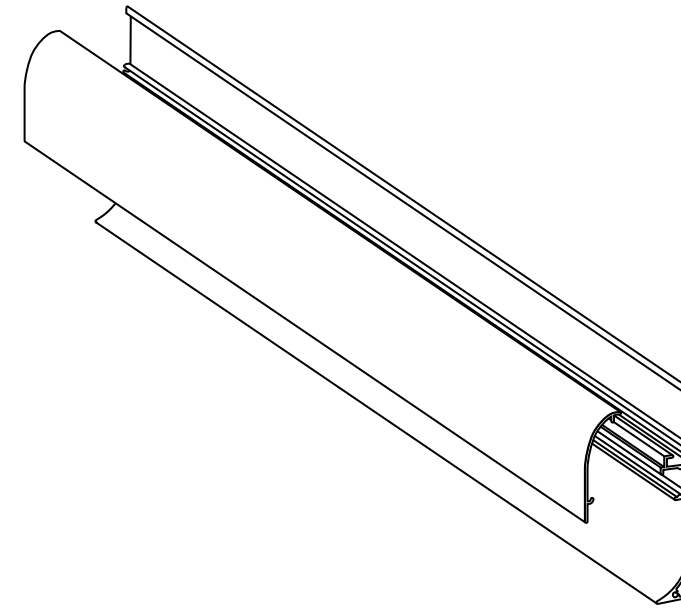
## Step 2. Cut LED Strip to match profile lengths



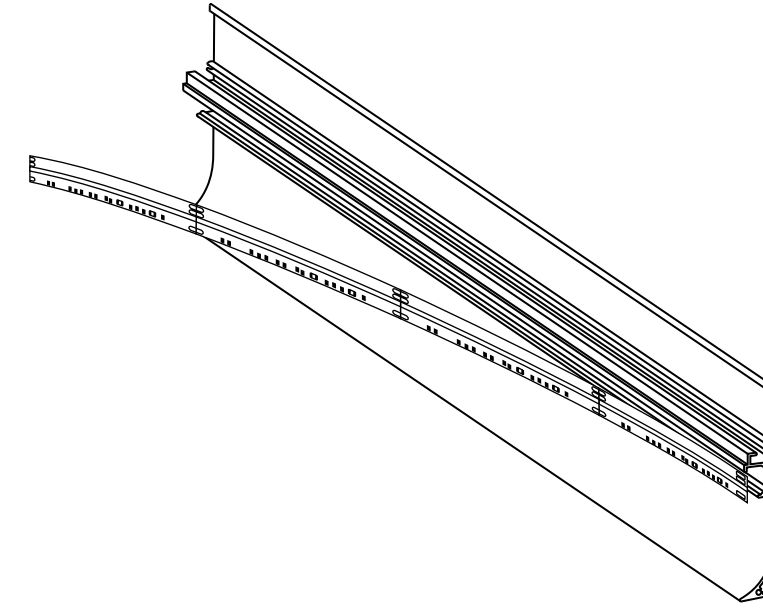
## Step 3. Join LED strips using crimps



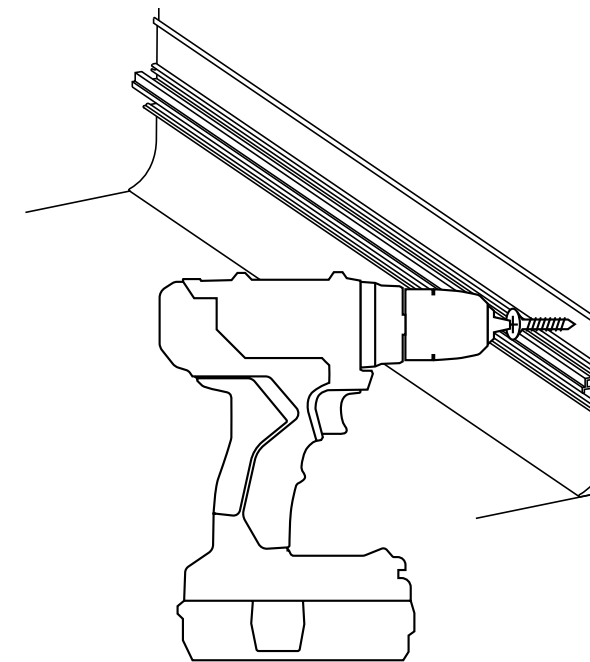
## Step 4. Remove profile face plate



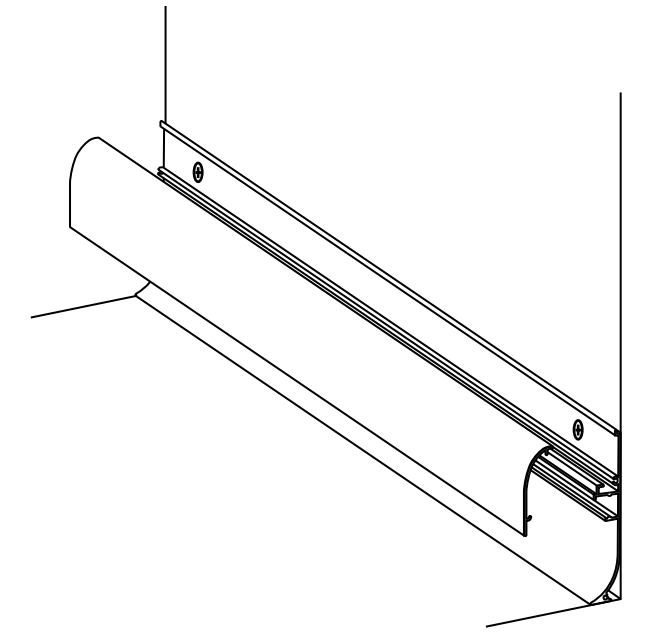
## Step 5. Adhere LED strip to profile



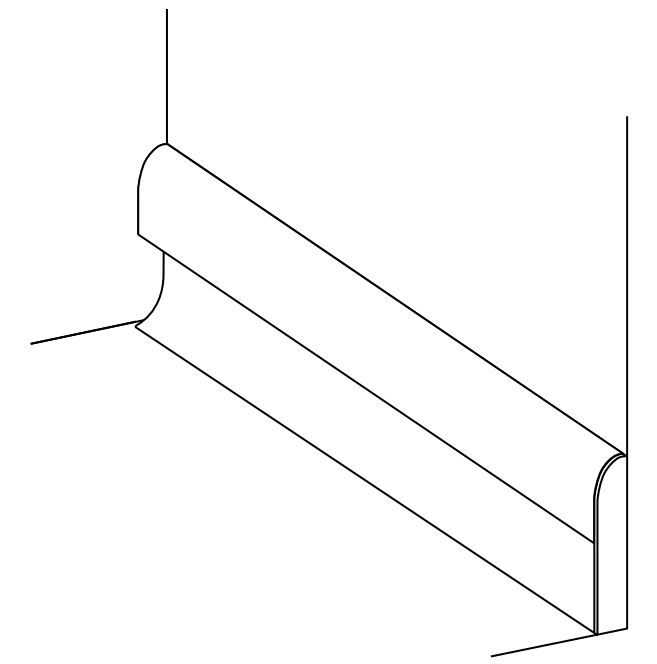
## Step 6. Fix profile to studs



## Step 7. Fix face plate back onto profile

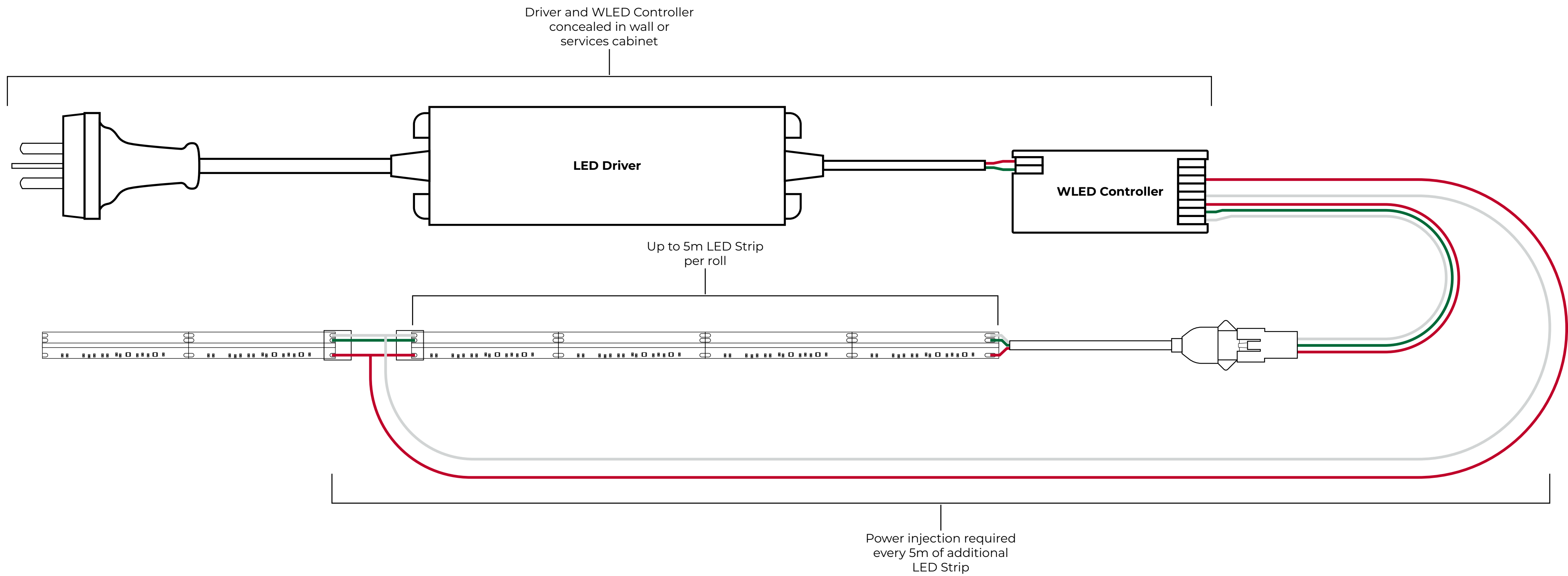


## Step 8. Add end caps where required



## Step 9. Plug in and power up skirting (wiring as per following page)

# Installation



# LIGHTEFX

 35 Research Drive, Croydon South, Vic. 3136

 1300 762 299

 [www.lightefx.com.au](http://www.lightefx.com.au)

 [sales@lightefx.com.au](mailto:sales@lightefx.com.au)

